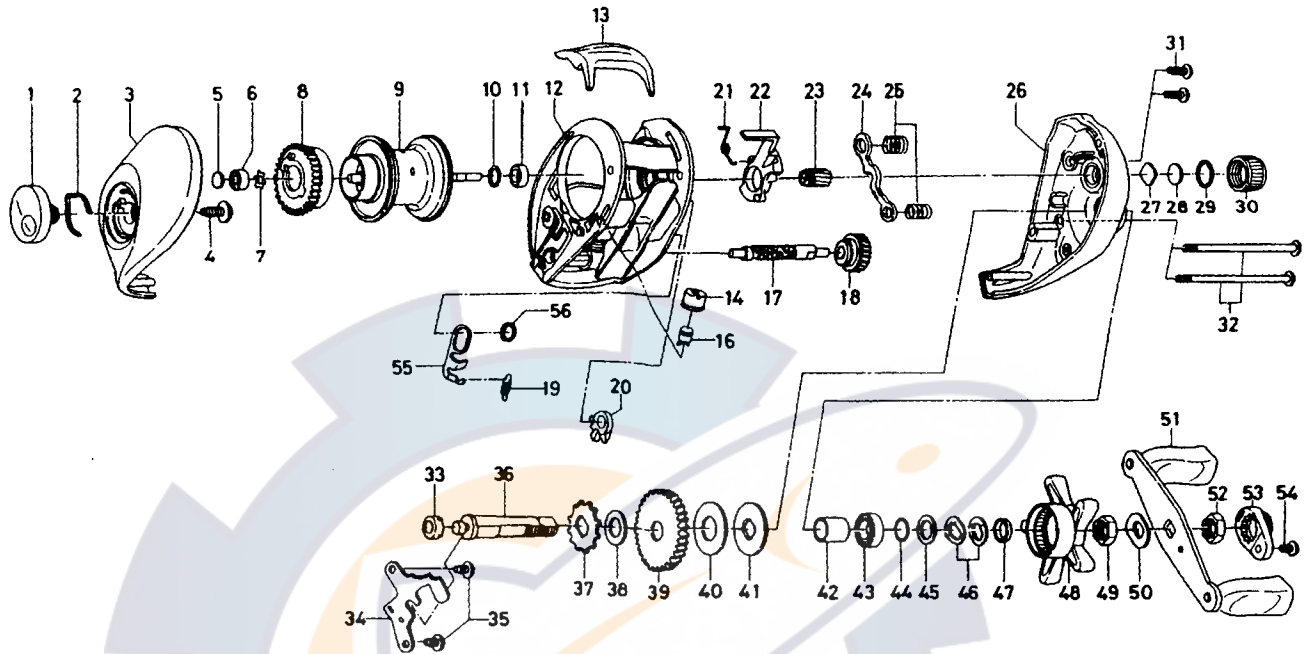




# STRIKEFORCE 150



Key No.	Parts No.	Parts Name	Key No.	Parts No.	Parts Name
1	F40-3617	BRAKE ADJ KNOB	30	F40-3002	CAST CONTROL CAP
2	F03-2401	BRAKE CLICK SPRING	31	E33-0402	SET PLT SCREW
3	F40-3311	L/S PLT	32	E28-4901	R/S PLT SCREW
4	B84-2102	BRAKE ADJ KNOB SCREW	33	G05-1701	BUSHING B
5	374-9102	SPACER A	34	F43-9701	DRIVE SHAFT RET
6	G05-1801	BUSHING A	35	F21-2201	DRIVE SHAFT RET SCREW
7	F41-2301	BEARING RET A	36	F40-2301	DRIVE SHAFT
8	E23-9502	MAGNET HOLDER	37	E32-7701	A/R RATCHET
9	F43-4201	SPOOL	38	375-7103	DRIVE SHAFT WASHER
10	F45-0601	BEARING RET B	39	F40-2501	DRIVE GEAR
11	B35-8605	BALL BEARING A	40	F60-2401	DRAG WASHER A
12	F80-9302	FRAME	41	B36-0303	KEY WASHER
13	F40-2007	CLUTCH LEVER	42	F40-7601	GEAR SHAFT COLLAR
14	F40-2801	PAWL CAP	43	F05-5502	BALL BEARING B
16	F51-6501	LINE GUIDE PAWL	44	B55-3801	DRAG WASHER B
17	F51-0301	WORM SHAFT	45	373-7810	DRAG WASHER C
18	F67-5101	WORM SHAFT GEAR	46	150-8901	DRAG SPRING WASHER
19	F63-9901	CLUTCH TRIP PLT SPRING	47	G18-9401	HANDLE COLLAR
20	E48-9001	A/R PAWL	48	F40-3202	STAR DRAG
21	E34-6601	CLUTCH CAM SPRING	49	B43-3601	DRAG NUT
22	E23-7401	CLUTCH CAM	50	150-9001	FRICTION WASHER
23	F40-9201	PINION GEAR	51	F87-9302	HANDLE
24	E23-7701	YOKE	52	B43-3601	HANDLE NUT
25	F86-4101	YOKE SPRING	53	F05-4402	HANDLE NUT PLT
26	F40-2906	R/S PLT	54	351-1801	HANDLE NUT PLT SCREW
27	B17-5401	SPOOL ADJ CAP METAL	55	F42-8801	CLUTCH TRIP PLT
28	B17-5503	SPACER B	56	F44-0201	CLUTCH TRIP PLT WASHER
29	171-5201	O RING			